

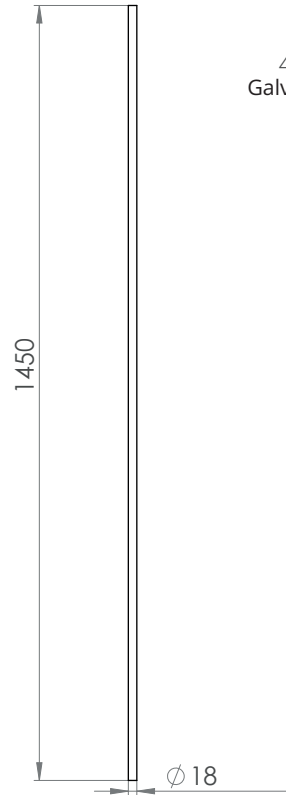


8" Bus Stop Bollard

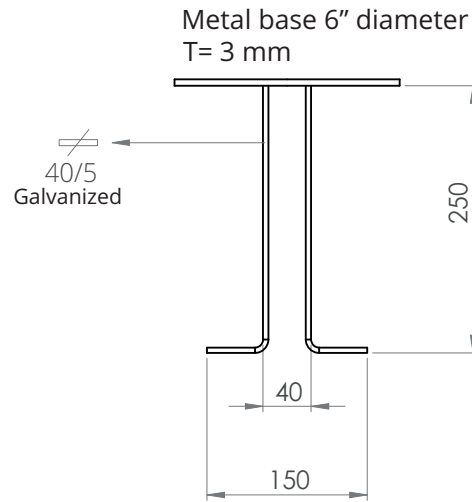
Galvanized, Powder Coated

Additional Specs:

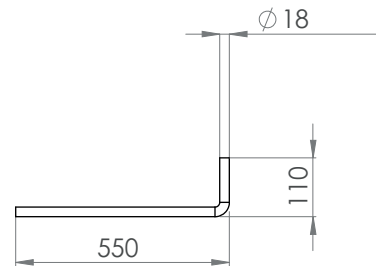
Metal rods for
cement pouring



3x units



L-Shape rods for
cement pouring



2x units

